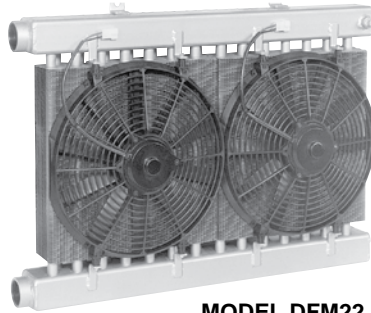




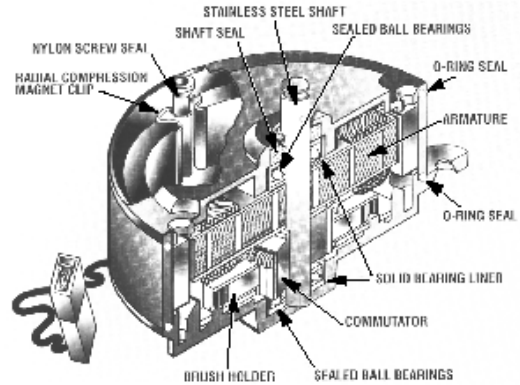
MODEL DFM11



MODEL DFM22

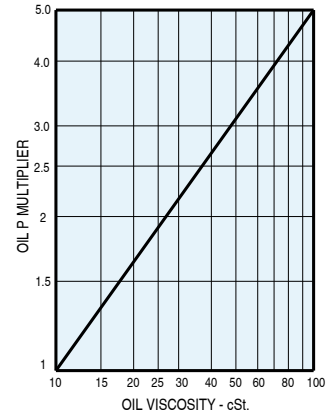
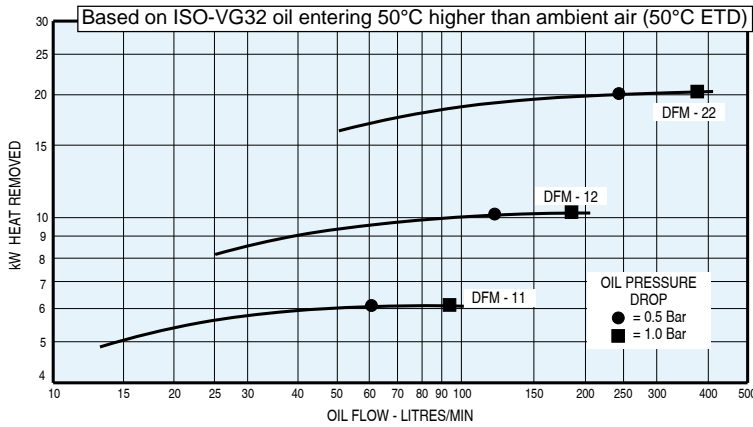
- Rugged high strength design
- High pressure round tube construction
- Damage resistant steel fins and tanks.

Applications - Concrete Transit Mixers, Concrete Pumps, Cranes, Harvesters, Grain Handlers, Off-Road & Construction Machines etc.



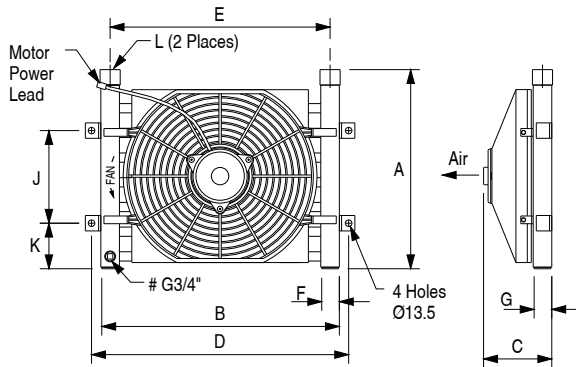
Water and dust resistant DC motor.

PERFORMANCE - DFM

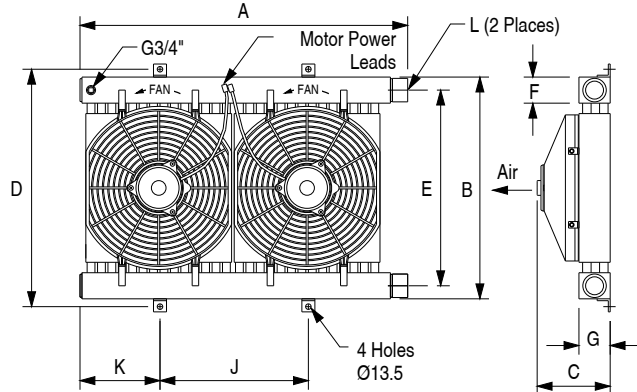


DIMENSIONS - DFM

MODELS DFM11 & DFM12



MODEL DFM22



• Pressure rating 21 Bar • Min. burst pressure 62 Bar

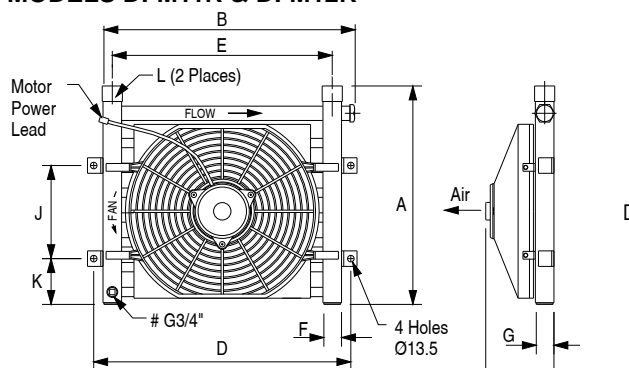
All ports BSPP to ISO 228/1G

Part No	Volts	Amps	A	B	C	D	E	F	G	J	K	L*	Wt kg
67/DFM11/12	12	12.5	411	489	130	528	452	38	38	190.5	94	G1"	10
67/DFM11/24	24	6.3	411	489	130	528	452	38	38	190.5	94	G1"	10
67/DFM12/12	12	12.5	433	540	170	578	476	64	76	190.5	94	G1 1/4"	19
67/DFM12/24	24	6.3	433	540	170	578	476	64	76	190.5	94	G1 1/4"	19
67/DFM22/12	12	25	800	540	170	578	476	64	76	362.0	196	G1 1/2"	35
67/DFM22/24	24	12.6	800	540	170	578	476	64	76	362.0	196	G1 1/2"	35

AIR COOLED SPECIAL APPLICATION

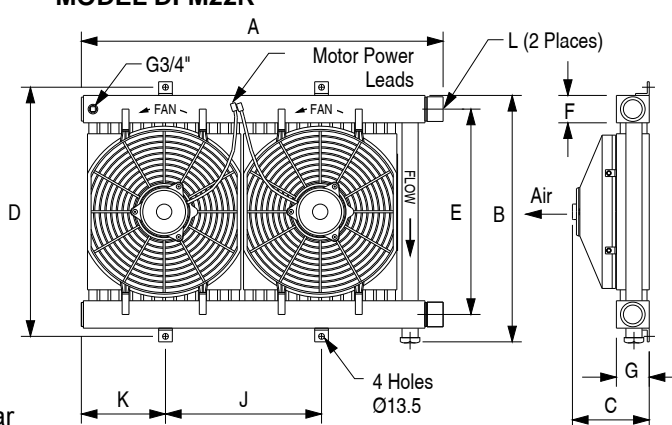
DIMENSIONS - DFM - RELIEF VALVE MODELS

MODELS DFM11R & DFM12R



• Pressure rating 21 Bar • Min. burst pressure 62 Bar

MODEL DFM22R



AIR COOLED
SPECIAL APPLICATION

Part No	Volts	Amps	A	B	C	D	E	F	G	J	K	L*	Wt kg
67/DFM11/12R	12	12.5	457	532	130	528	452	38	38	190.5	94	G1"	10
67/DFM11/24R	24	6.3	457	532	130	528	452	38	38	190.5	94	G1"	10
67/DFM12/12R	12	12.5	464	582	170	578	476	64	76	190.5	94	G1 1/4"	19
67/DFM12/24R	24	6.3	464	582	170	578	476	64	76	190.5	94	G1 1/4"	19
67/DFM22/12R	12	25	857	575	170	578	476	64	76	362.0	196	G1 1/2"	35
67/DFM22/24R	24	12.6	857	575	170	578	476	64	76	362.0	196	G1 1/2"	35

Standard relief valve setting is 2 Bar .
Inlet and outlet connections may be reversed when bypass valve is not used.

All dimensions in mm unless noted otherwise 0-50 are ± 1. 50-1500 are ± 3.

Thermostats Are An Important Addition To DFM Models To Maximise Fan Motor Life

17/DC Wet Type. A self contained thermostatically controlled electric switch mounted in a steel bulb well for immersion in the hot process fluid. The switch is usually supplied with normally open contacts. Kits include a fuse, fuse holder, port adaptor S102-1208, relay, wiring and fitting instructions.

Part No.	Description
039.8.06173	Thermo Kit 65°C For DFM 11 & 12 in 12 Volt
039.8.06143	Thermo Kit 65°C For DFM 11 & 12 in 24 Volt
039.8.06172	Thermo Kit 55°C For DFM 11 & 12 in 12 Volt
039.8.06142	Thermo Kit 55°C For DFM 11 & 12 in 24 Volt
039.8.06372	Thermo Kit 65°C For DFM 22 in 12 Volt
039.8.06370	Thermo Kit 65°C For DFM 22 in 24 Volt
039.8.06371	Thermo Kit 55°C For DFM 22 in 12 Volt
039.8.06369	Thermo Kit 55°C For DFM 22 in 24 Volt



123W wet thermostats also available see page 54.
For more information about the 17/DC wet thermostats see page 55.