

Rotary Gear Positive Displacement Pumps

HAIGHT PUMP AND ELECTRIC MOTOR PACKAGES

Haight pump and electric motor packages come complete with pump, electric motor, base plate, flexible shaft coupling and bell housing.

Haight pump and electric motor packages are available with 4 pole 415 volt AC electric motors ranging from 0.55 kW to 4 kW. Units with 6 or 8 pole motors can also be supplied on request as well as single phase 4 or 6 pole motors in sizes to 2.2kW.

The standard motor rating is IP55 class F insulation. Motors with special specifications can also be supplied (eg flameproof).

Electric motor dimensions vary depending on brand. To establish the final dimensions of the assembly use measurement "H" which is the position of the foot mounting bolt at shaft end of the electric motor. Use a manufacturer's drawing of the selected electric motor to establish final dimensions. CAD DXF drawing available on request.

ORDERING CODE
Part Number

90H B / 10U 6P 220

HAIGHT PUMP ASSEMBLY 90H

PUMP/MOTOR CONNECTION
Bell housing B
Bedplate

PUMP SIZE 01 03 05 08 10 15 20 30 40

RELIEF VALVE
With relief UR
Without relief U

ELECTRIC MOTOR SPEED
4P 6P 8P
1440 960 720

ELECTRIC MOTOR POWER
0.37kW 037
0.55kW 055
0.75kW 075
1.5kW 150
etc

SPECIAL FEATURES (eg S = single phase)

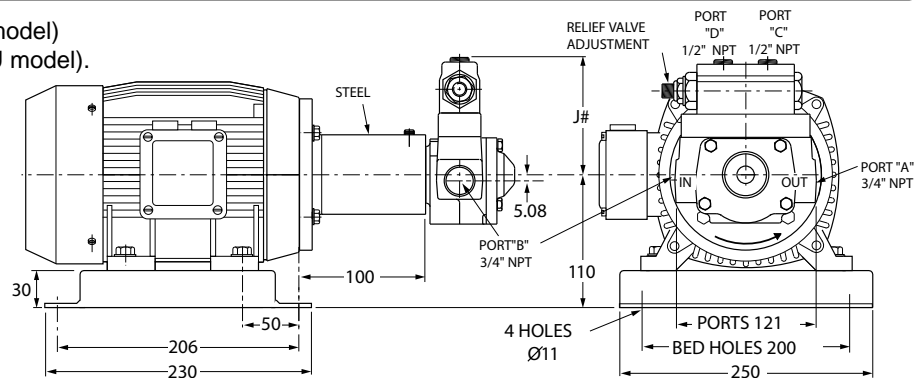
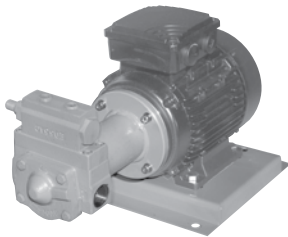
Note: not all combinations available, check with sales office

MOTOR POWER (kW) & AMPS BY FRAME SIZE				
FRAME*	kW at 4 POLE	AMPS	kW at 6 POLE	AMPS
80	0.55 to 0.75	2.0	0.37 to 0.55	1.90
90	1.10	3.0	0.75	2.30
90L	1.50	3.3	1.10	3.00
100	2.20 to 3.00	5.8	1.50	3.80
112	4.00	8.0	2.20	5.30

*To AS1360

MOTOR AND PUMP PACKAGES - SIZE 1 THROUGH 8

Shown with relief valve pump (UR model)
Also available without relief valve (U model).

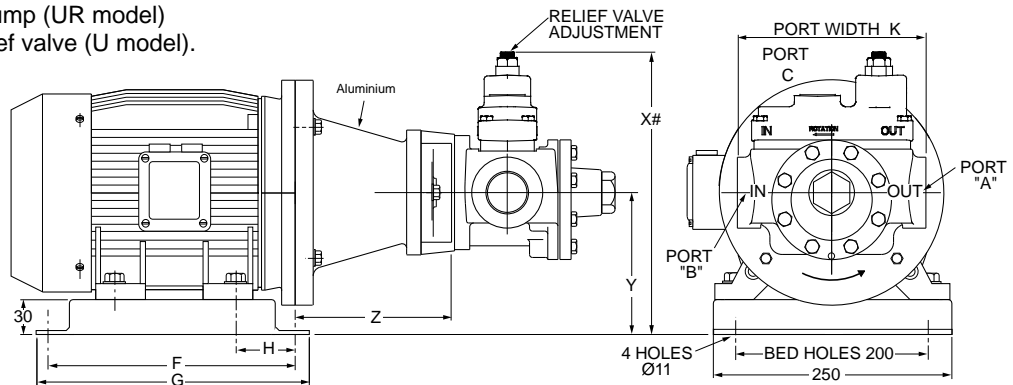


Varies with pump type.

USES 80 FRAME MOTOR

MOTOR AND PUMP PACKAGES - SIZE 10 THROUGH 40

Shown with relief valve pump (UR model)
Also available without relief valve (U model).



	Sizes 10 through 40						Pump	Ports A & B	Ports C & D	K
	F	G	H	X#	Y	Z				
80 Motor Frame	206	230	50	213	110	127	10UR	1" NPT	1" NPT	178
90 Motor Frame	206	230	50	223	120	127	15UR-20UR	1 1/4" NPT	1" NPT	178
100 Motor Frame	236	260	48	233	130	139	24UR-30UR	1 1/2" NPT	1" NPT	187
112 Motor Frame	236	260	48	245	142	139	40UR	1 1/2" NPT	1" NPT	187

Our well known DCP pumping units were originally developed for use with the DYNACOOOL range of heat exchangers for pumping low to medium viscosity hot mineral oils through heat exchangers for cooling purposes.

The DCP pump is equipped with pump, relief valve and filter. They are coupling connected through a bell housing to an ISO 80 frame 415 volt 4 Pole TEFC electric motor which is mounted on a bed plate.

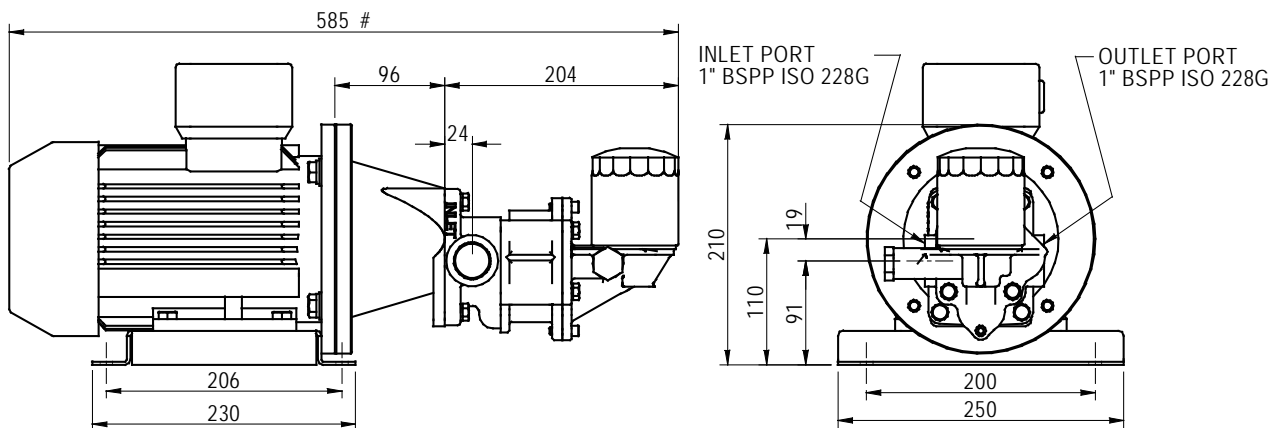
The oil pump has a cast iron body and is a positive displacement gear type unit with alloy steel gears.

Part number for the filter is **ROF-23**

PUMP SPECIFICATIONS

PUMP MODEL	PUMP RELIEF VALVE SETTING	FLOW LITRES PER MINUTE	FLOW US GALLONS PER MINUTE	ELECTRIC MOTOR POWER	ELECTRIC MOTOR SPEED
DCP 40	60-70 PSI	40	10.5	0.75 kW	1440 rpm

VISCOSITY RANGE. With a flooded inlet port and 1" delivery line the DCP 40 Model will pump oils up to 500 cSt actual. Where the pump inlet port has to be above the oil level to be pumped the viscosity should be limited to 320 cSt.



Nominal, Varies with motor brand.

IN ORDER TO CONSTANTLY IMPROVE OUR PRODUCT WE RESERVE THE RIGHT TO MAKE CHANGES WITHOUT NOTICE

All dimensions in mm unless noted otherwise 0-50 are ± 1. 50-1500 are ± 3.