



Air Cooled Exchangers With Aluminium Cooling Elements DC ELECTRIC HEAT EXCHANGERS

DB Standard Performance

- Total of 24 stock models including 12 and 24 volts. DB models are standard performance with fully weather proofed fans with interference suppression. DA models are high performance with long life SPAL fans. DC models use a foot mount DC motor and the same fans as those used on our Dynacool Series A2000 coolers.



- Our Versacool range has the highest performance in the smallest package allows use in confined spaces, universal top and bottom mount makes vertical, horizontal or inverted mounting easy. Accessory mounting feet (page 56) and compressor after cooling stands are available.

DA High Performance



Mounting feet and thermostat options page 58-60.

- Available with electric DC thermostatic fan controls to start fan when oil reaches predetermined temperature. All models are available with Wet type thermostat ranges are 46°C, 55°C and 65°C or adjustable wet thermostat systems. See pages 54 and 55.

TECHNICAL SPECIFICATIONS - DC ELECTRIC MODELS

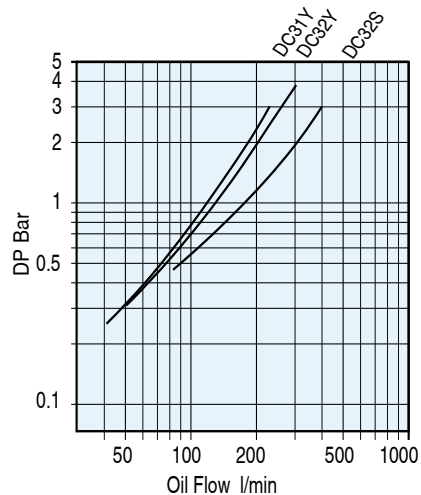
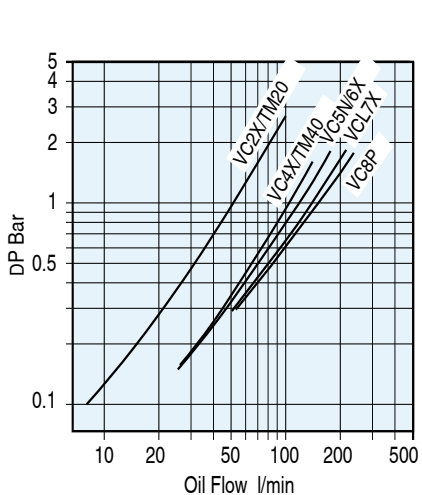
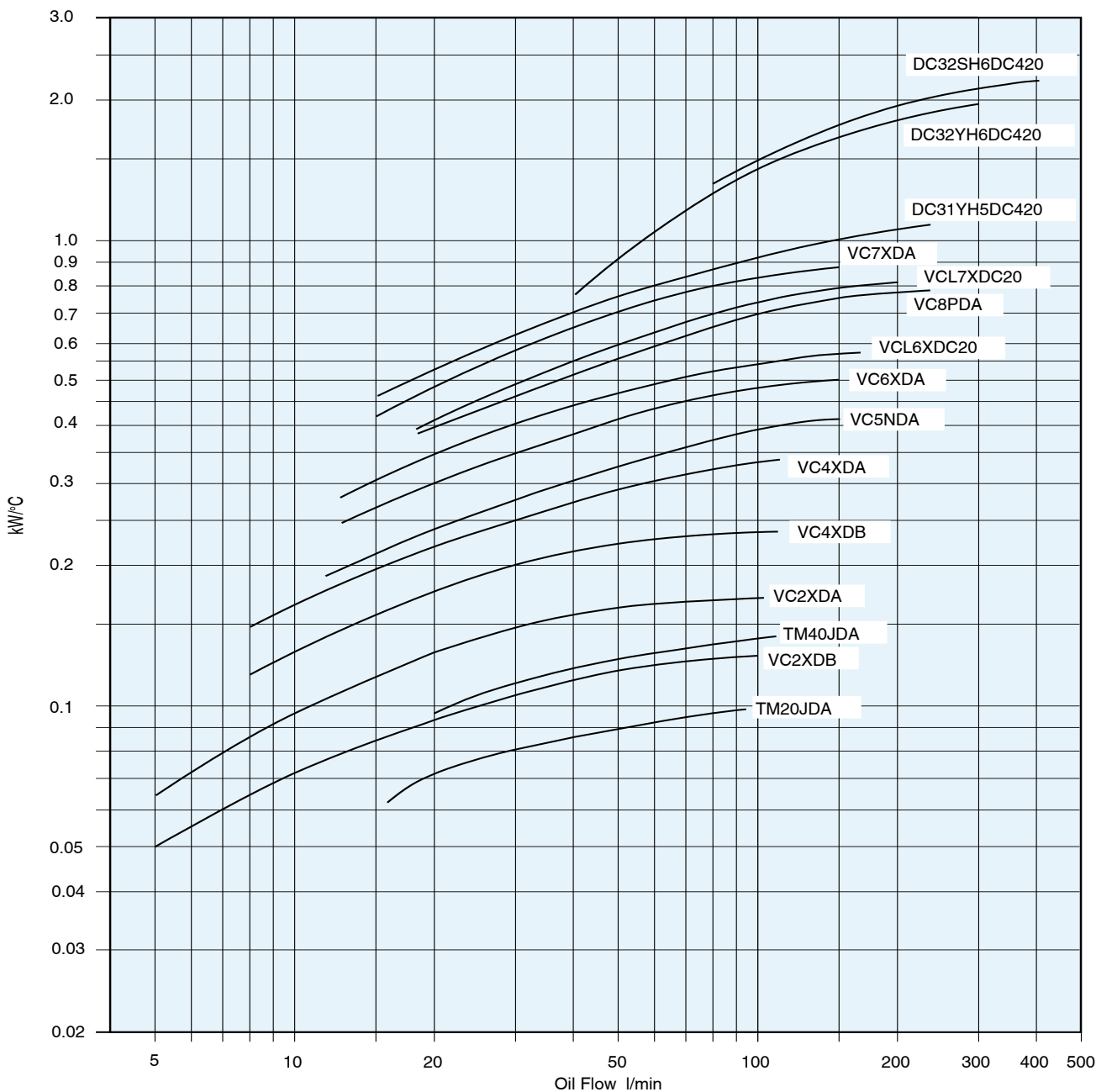
Electric Motor Specifications

- Versacool DA Type. High performance, long life, motor enclosure IP54. Temp range -30°C to +80°C.
- Versacool DB Type, Standard performance, motor enclosure IP55. Temp range -30°C to +80°C.

General Construction

- Cooling Elements. Aluminium furnace brazed.
- Casing. Steel (zinc seal) Polyester powder coated.
- Fans. Polypropylene.
- Fastenings. Zinc plated

MODEL/ Part Number	Noise level * dB(A) at 1m	Fan Ø (mm)	Volts	Amps	Weight kg
VC2XDA20	80	243	24	7.2	8
VC2XDB10	76	243	12	6.6	7
VC2XDB20	76	243	24	4.4	7
VC4XDA10	80	305	12	14.5	11.5
VC4XDA20	80	305	24	9.3	11.5
VC4XDB10	76	305	12	7.5	12
VC4XDB20	76	305	24	4.8	12
VC5NDA10	80	305	12	14.5	14
VC5NDA20	80	305	24	9.3	14
VC6XDA10	80	305	12	14.5	15.8
VC6XDA20	80	305	24	9.3	15.8
VCL6XDC20	78	450	24	14	27
VC7XDA10	83	2 x 305	12	29	25 # New !!
VC7XDA20	83	2 x 305	24	18.6	25
VCL7XDC20	78	450	24	14	30
VC8PDA10	83	2 x 305	12	29	40
VC8PDA20	83	2 x 305	24	18.6	40
DC31YH5DC420	79	500	24	14	56
DC32YH6DC420	82	630	24	36	90
DC32SH6DC420	82	630	24	36	95
TM20JDA10	76	190	12	7.7	5
TM20JDA20	76	190	24	3.0	5
TM40JDA10	80	305	12	14.5	8
TM40JDA20	80	305	24	9.3	8



OIL COOLER SIZING

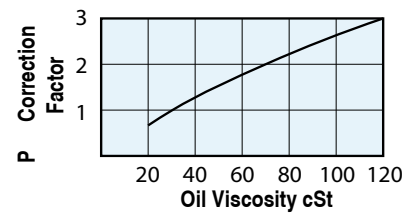
Step 1. Calculate $ETD = T_{oil} - T_{air}$
 T_{oil} = Temp °C of oil entering the cooler (usually the same as max. allowable oil temp.) T_{air} = Expected Ambient Air Temp °C.

Step 2. Calculate $kW/°C ETD = \frac{kW}{ETD}$ kW = Heat Load.

Step 3. Enter Cooler Performance Tables and select a cooler which meets or exceeds the required performance at the required oil flow rate.

Step 4. Check pressure drop of the oil cooler selected in step 3. If the average oil viscosity is not 30 cSt apply a correction for the expected viscosity.

Computer model selection program available.

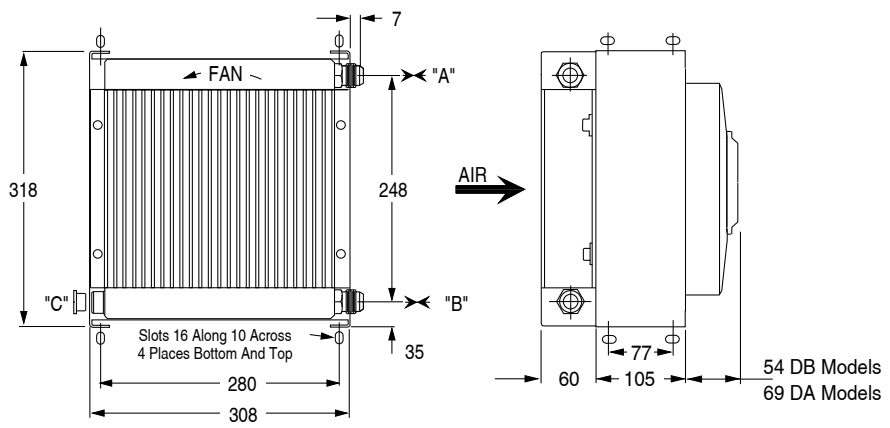




Air Cooled Exchangers With Aluminium Cooling Elements

DIMENSIONS - VERSACOOOL DC ELECTRIC MODELS

MODEL VC2XD

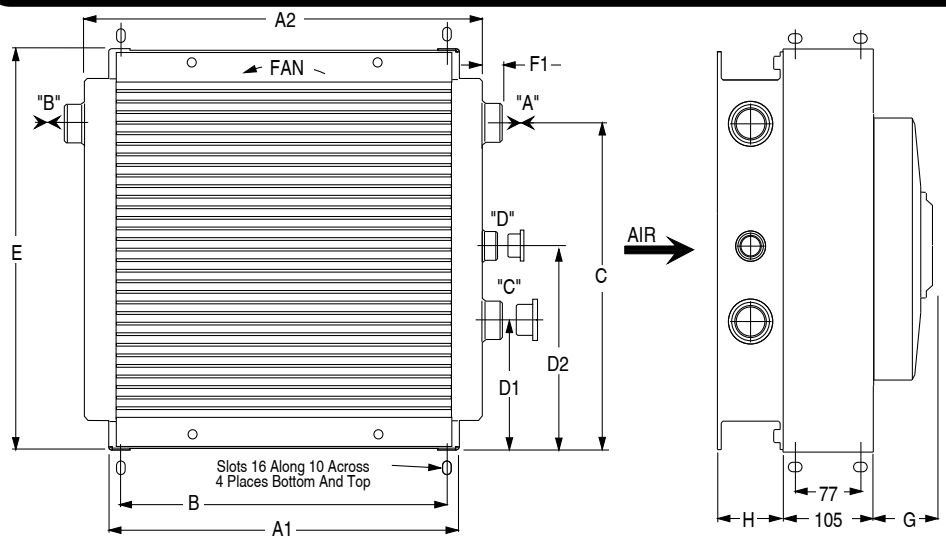


VC2XD Port size

"A"	"B"	"C"
1 1/16"	1 1/16"	1/2"

Flexible hose required
 Ports A & B are Male JIC 37° flare UN.
 Port C is BSPP to ISO 228/1G
 See Accessory information for foot bracket options.

MODEL VC4XD, VC5ND & VC6XD

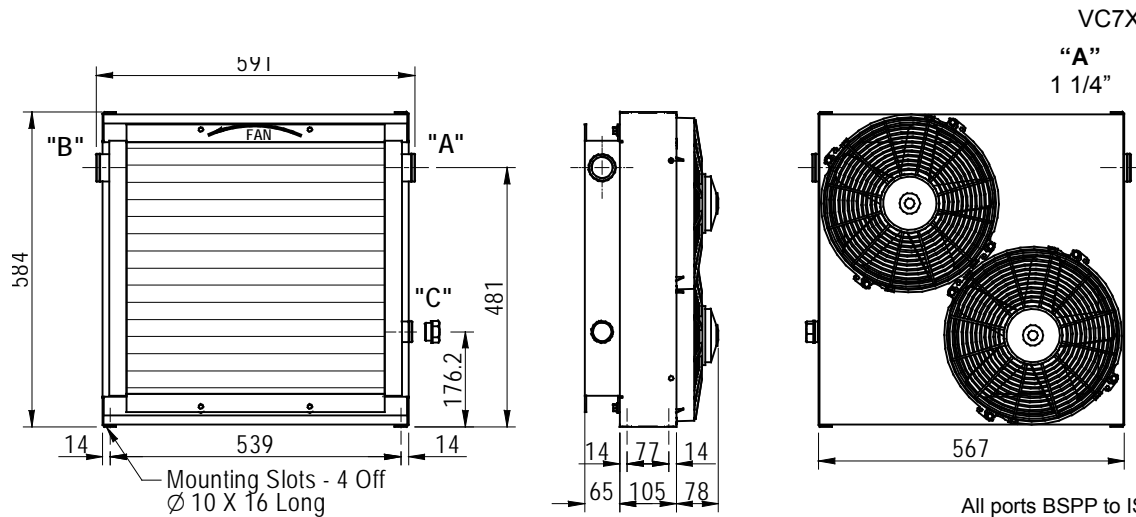


See Accessory information for foot bracket options.

Model	A1	A2	B	C	D1	D2	E	F1	F2	G*	H	Liq Vol L	"A"	"B"	"C"	"D"
VC4XDB	340	-	312	259	99	179	360	22	18	54	65	1.2	1"	1"	1"	3/4"
VC4XDA	340	-	312	259	99	179	360	22	18	69	65	1.2	1"	1"	1"	3/4"
VC5NDA	440	400	412	335	107	187	440	22	18	69	65	1.8	1"	1"	1"	3/4"
VC6XDA	412	463	384	379	150	230	464	22	18	69	65	2.2	1"	1"	1"	3/4"

All ports BSPP to ISO 228/1G

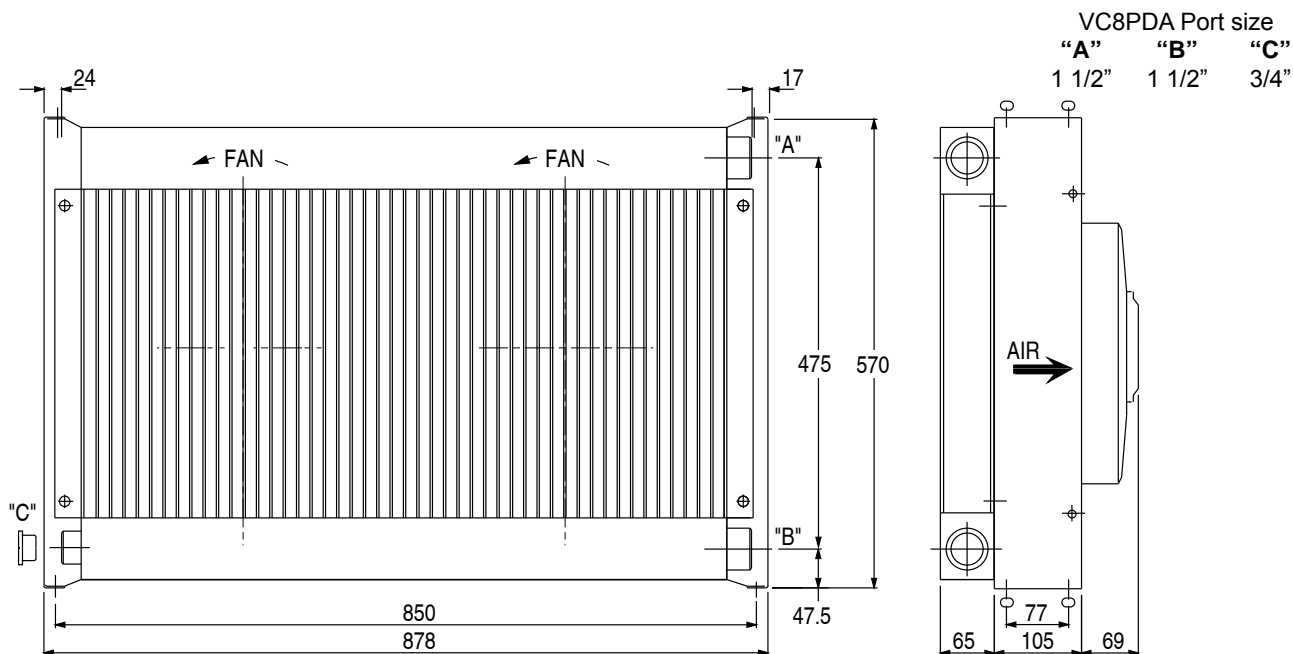
MODEL VC7XDA



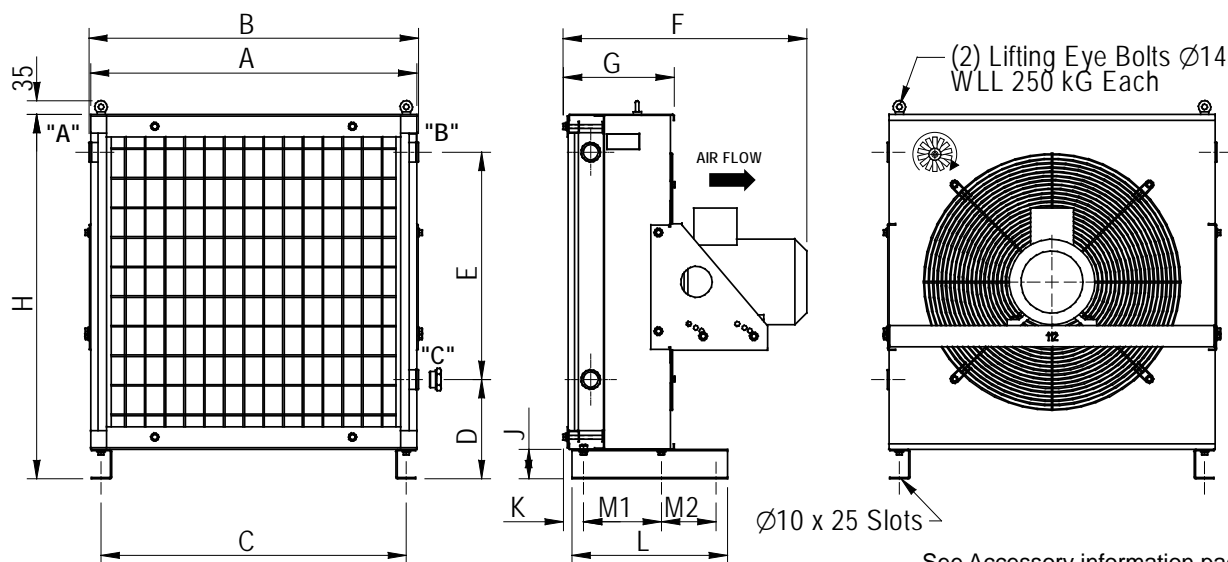
VC7XDA Port size

"A"	"B"	"C"
1 1/4"	1 1/4"	3/4"

All ports BSPP to ISO 228/1G
 See Accessory information for foot bracket options.

MODEL VC8PDA - ELEMENTS MAX OPERATING PRESSURE 30 BAR - TWIN FAN MODEL


All ports BSPP to ISO 228/1G
See Accessory information for foot bracket options.

MODEL DC31 & DC32


See Accessory information pages 58 & 59 for Thermostat options.

Model	A	B	C	D	E	F*	G	H	J	K	L	M1	M2	"A"	"B"	"C"
31Y	674	694	618	255	406	515*	277	762	75	53	400	200	140	1 1/4"	1 1/4"	1 1/4"
32S	840	860	784	177	663	625*	302	940	75	78	400	200	140	2"	2"	3/4"
32Y	840	860	784	255	585	600*	277	940	75	53	400	200	140	1 1/4"	1 1/4"	1 1/4"

*Nominal Varies with motor type.

All ports BSPP to ISO 228/1G



Air Cooled Exchangers With Aluminium Cooling Elements

TM - TRANSIT MIXER COOLERS

APPLICATION. Suitable for use in mobile equipment to cool hydraulic oil. Fan driven using 12 or 24 volt DC power supply. Optional thermostat available for TM models for extended fan motor life refer to page 55 for details.

SPECIFICATIONS.

Maximum Operating Pressure.....14 Bar
Maximum Operating Temperature..100°C

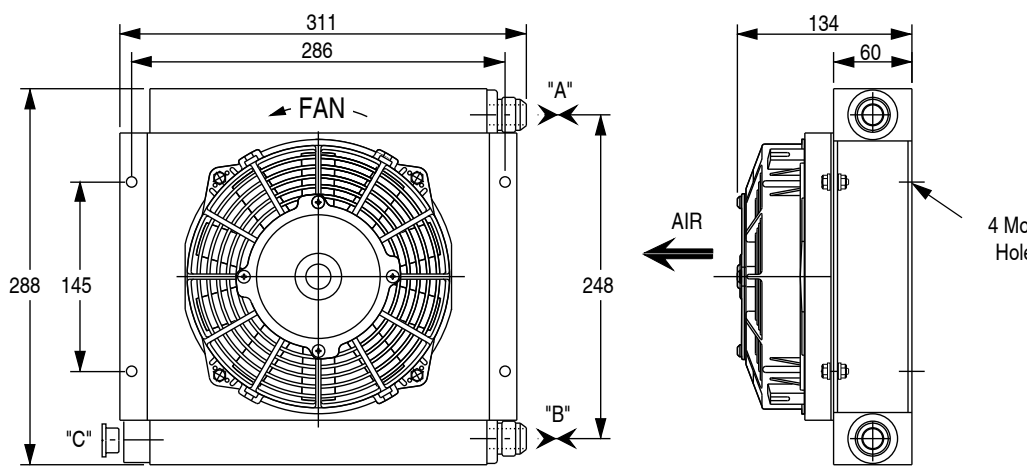
MATERIALS OF CONSTRUCTION.

Cooling element..... Aluminium
Case (TM20 only)..... Steel, powder coated white
Fan/Cowl Plastic, black
Motor Steel Case, weatherproofed

TM40 cooler

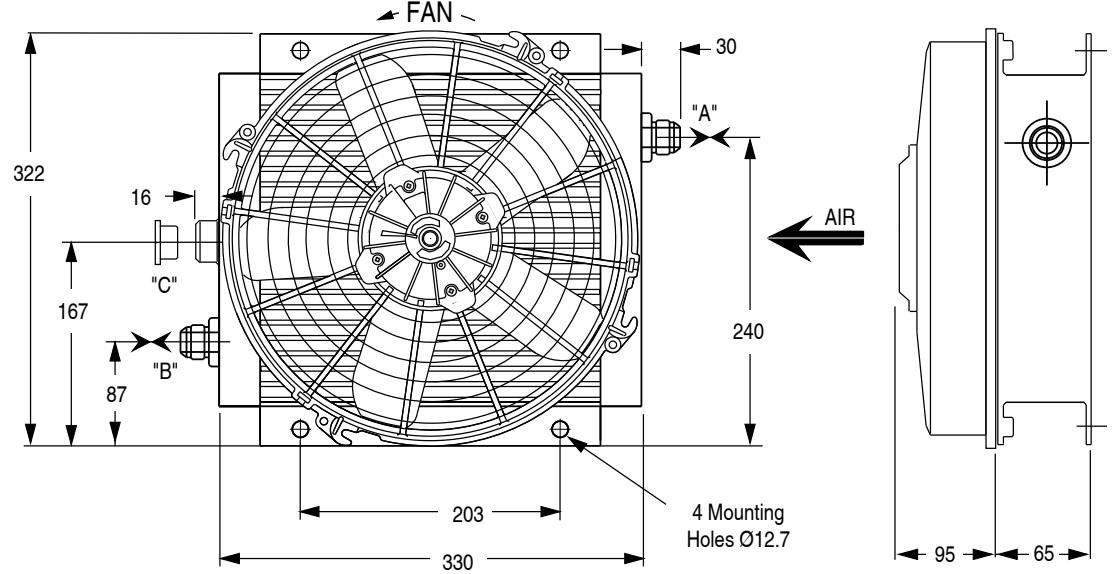


MODEL TM20JDA



Part Number	Motor voltage	Amps	Weight(kg)	
TM20JDA10	12v	8.1	5	Port Details - A and B are Male JIC 37° flare UN type 1 1/16" 12TPI C is 1/2" BSPP to ISO 228/1G. Flexible hose required.
TM20JDA20	24v	3.0	5	

MODEL TM40JDA



Part Number	Motor voltage	Amps	Weight(kg)	
TM40JDA10	12v	16.5	8	Port Details - A and B are Male JIC 37° flare UN type 1 1/16" 12TPI C is 1/2" BSPP to ISO 228/1G
TM40JDA20	24v	9.3	8	

All dimensions in mm unless noted otherwise 0-50 are ± 1. 50-1500 are ± 3.